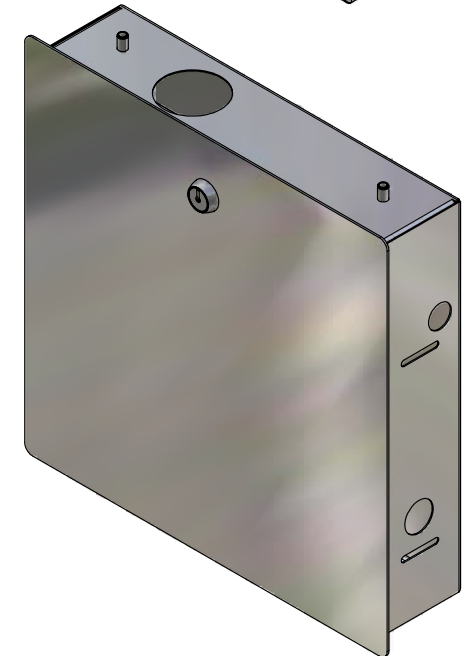
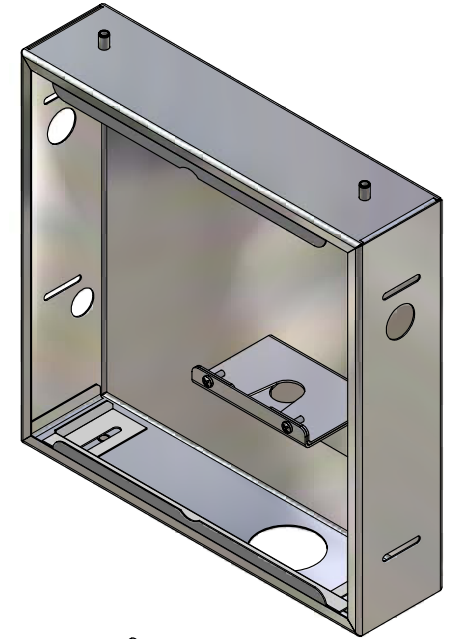
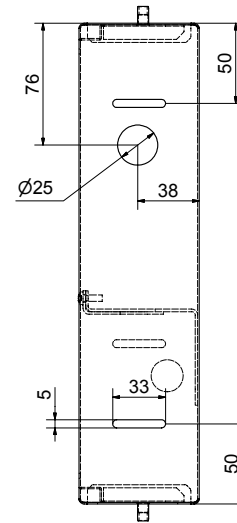
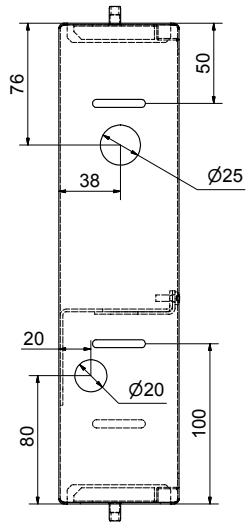
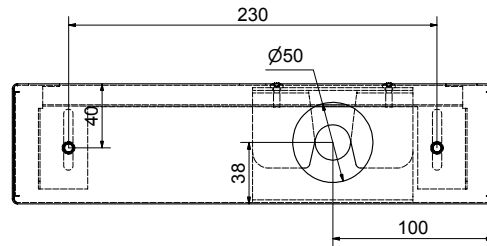
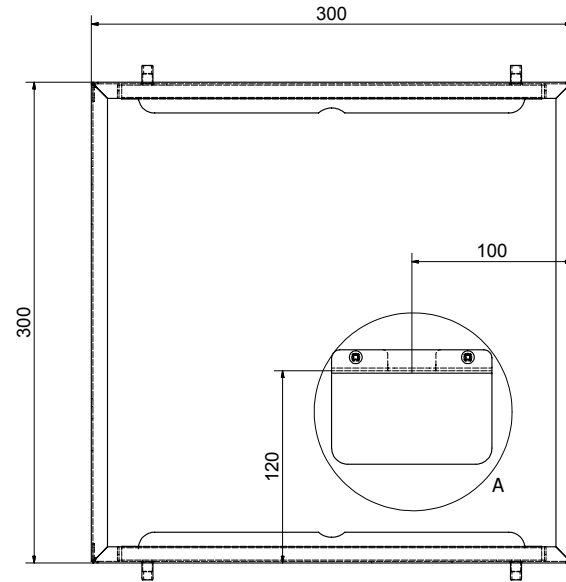
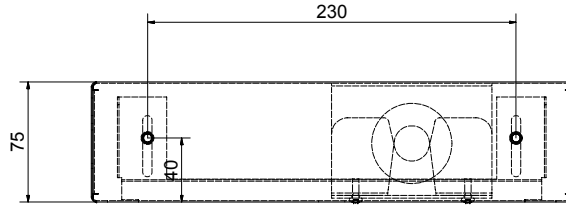


Notes

- Constructed from Grade 430 SS
- Boxes to be white powder coated on completion
- The box body is to have 2 spot welds on each of the corner tabs only
- The bracket in the centre is to be spot welded to the body in 5 places
- The fixed mount bracket has the 3 holes on the top threaded to suit M4 panhead screws
- The M5 nutserts are to be the Zinc plated type

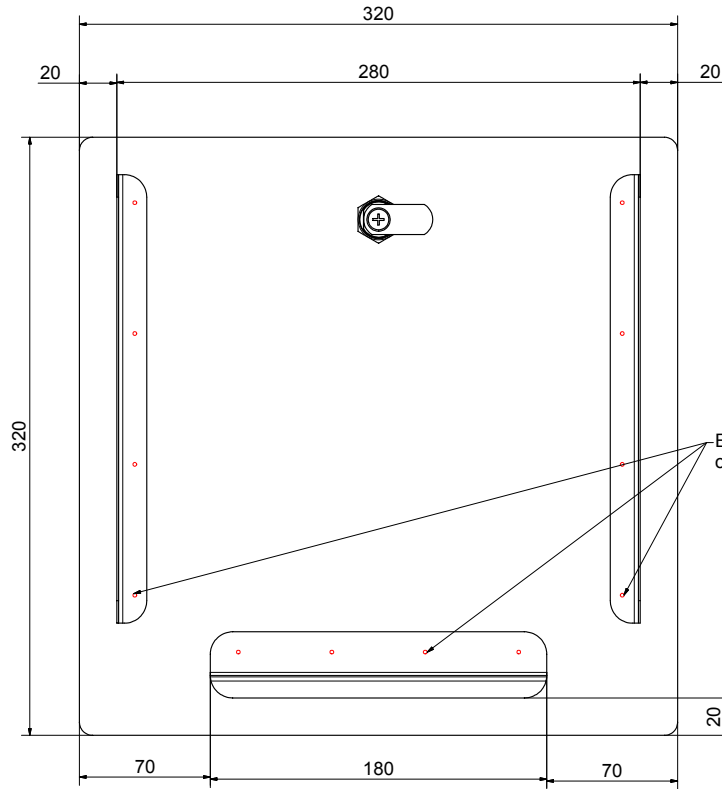


Valve mount basket							
ITEM	QTY	Description	Stock number	Vendor	Thickness	BendRadius	Length
1	2	M4 x 12mm Panhead SS screw	4009	Nepean boltmaster			
2	1	Valve mount bracket (Small)		Laser & Press	1.6 mm	2.2 mm	
3	1	Valve mount clamp (Small)		Laser & Press	1.6 mm	2.2 mm	
Valve box							
ITEM	QTY	Description	Stock number	Vendor	Thickness	BendRadius	Length
4	4	M5 Nutsert (Zinc plated)		Nepean Boltmaster			
5	2	Box lid bracket		Laser & Press	0.9 mm	1.3 mm	
6	1	Valve box (Small)		Laser & Press	0.9 mm	2.3 mm	

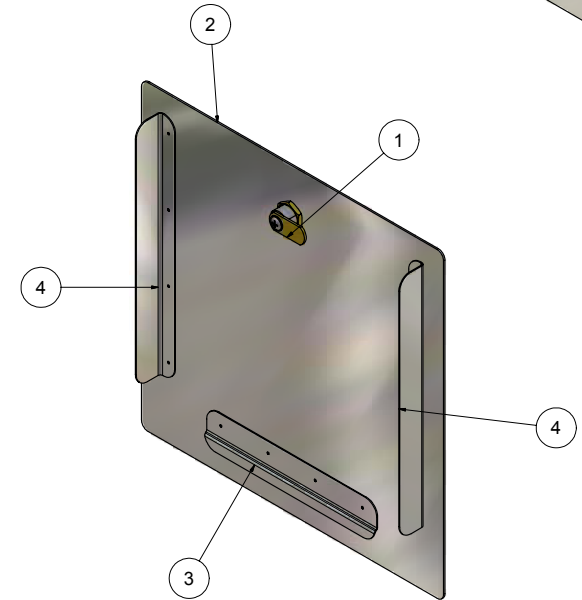
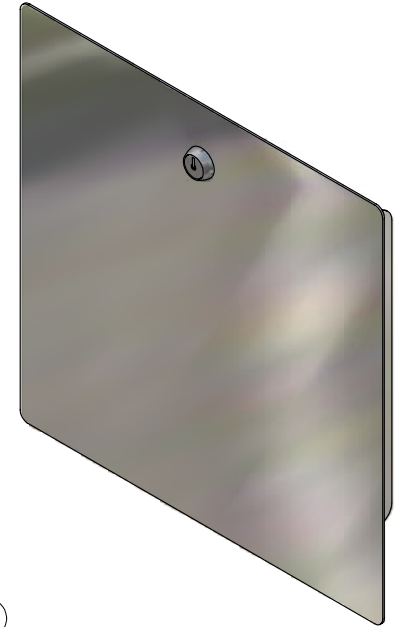
Detailed by Laser and Press (www.laserandpress.com.au) for Stainless Metal Craft				Client						
	Drawn by	Date	ECR number	Rev no		SMC Sales Order No	Sales Order Line No	0	Project	
	martyn	13/11/2008	N/A	0		810000	Quantity required	0	Item & Area	VB-WC-1 type valve box
<small>THIS DRAWING MAY NOT BE DUPLICATED OR USED IN ANY WAY WITHOUT THE WRITTEN PERMISSION OF STAINLESS METAL CRAFT (AUST) PTY LTD</small>						<small>TOLERANCE UNLESS NOTED MACHINED COMPONENT ±0.1 SHEET WORK ±2 ANGLES ±1°</small>		Client drawing No	Client P.O.	
Do not scale - Refer to figured dimensions								Sheet size	A1	Sheet 1 of 2

Notes








- Constructed from 430 grade Stainless Steel
- The door lid is to white powder coated on completion
- The door guides & joggle are to be spot welded to the door lid in 4 spots each (as shown in red)
- The Cam lock is fitted by SMC



Each part is spot welded on in 4 spots as shown



ITEM	QTY	Description	Stock number	Vendor	Thickness	BendRadius	Length
1	1	Cam lock	60180	Freshware			
2	1	Door face panel		Laser & Press	1.5 mm		
3	1	Door joggle strip		Laser & Press	0.9 mm	2.28 mm	
4	2	Door edge guides		Laser & Press	0.9 mm	2.28 mm	

Detailed by Laser and Press (www.laserandpress.com.au) for Stainless Metal Craft				Client	
				Project	
Drawn by martyn	Date 13/11/2008	ECR number N/A	Rev no 0	SMC Sales Order No 810000	Quantity required 0
<small>THIS DRAWING MAY NOT BE DUPLICATED OR USED IN ANY WAY WITHOUT THE WRITTEN PERMISSION OF STAINLESS METAL CRAFT (AUST) PTY LTD</small>				<small>TOLERANCE UNLESS NOTED MACHINED COMPONENT ±0.1 SHEET WORK ±2 ANGLES ±1°</small>	
				Item & Area VB-WC-1 type valve box	
				Client drawing No	
				Client P.O.	
				Do not scale - Refer to figured dimensions	
				Sheet size A1	
				Sheet 2 of 2	